



INSTALLATION & MAINTENANCE GUIDE

Internal Mini Skimmer 115

For Model

510114 – Skimmer 30 Gallon



Thank you for purchasing an AquaticLife™ Internal Mini Skimmer for use with your marine aquarium!

Thank you for purchasing an Aquatic Life™ Internal Mini Skimmer for use with your marine aquarium. We know you value quality and innovation and will be pleased with this product's performance.

We encourage you to take a few minutes to become familiar with this manual and note items that apply to your particular model. For additional information, please visit www.aquaticlife.com.

Your purchase includes a coupon on the bottom of the box. Save Life Rewards point coupons from Aquatic Life products and redeem them for free merchandise at www.aquaticlife.com/rewards. This is our way of saying thank you for your loyalty.



Copyright © Aquatic Life, LLC
All rights reserved.

No part of this document may be reproduced, stored in a retrieval system, or transmitted in any form or by any means without the prior written consent of Aquatic Life, LLC.



This symbol indicates **“WARNINGS”** that are essential in order to protect against injury to people or damage to equipment.



This symbol indicates **“NOTES”** that are specific instructions on how to operate, control, adjust or maintain the units.



This symbol indicates **“TIPS”** that are intended to offer helpful advice for a better user experience.

Aquatic Life, LLC
Los Angeles, CA 90058
Toll-Free US only: (888) 548-3480
customersupport@aquaticlife.com

TABLE OF CONTENTS

Important Safety Instructions	4
Warnings	4
Grounding.....	5
Parts & Specifications	6
Parts Diagram	6
Product Specifications.....	6
Installation	7
Impeller and Pump	7
Control Knob and Housing	9
Mounting Clips and Suction Cups	10
(Option # 1)	
Mounting Bracket and Lock.....	11
(Option #2)	
Collection Cup.....	11
Operation	12
Skimmer Positioning.....	12
Power.....	12
Flow Adjustment.....	12
Maintenance	13
Glossary of Terms	14
Product Registration & Warranty	15

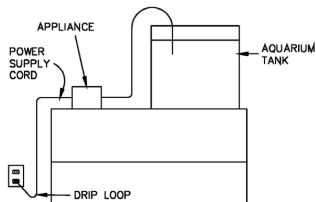
IMPORTANT SAFETY INSTRUCTIONS



WARNING

TO GUARD AGAINST INJURY, BASIC SAFETY PRECAUTIONS SHOULD BE OBSERVED, INCLUDING THE FOLLOWING:

- A) **READ AND FOLLOW ALL SAFETY INSTRUCTIONS.**
- B) **DANGER** – To avoid possible electric shock, special care should be taken since water is employed in the use of aquarium equipment. For each of the following situations, do not attempt repairs by yourself; return the appliance to an authorized service facility for service or discard the appliance:
- 1) If the appliance falls into the water, DON'T reach for it! First unplug it and then retrieve it. If electrical components of the appliance get wet, unplug the appliance immediately. (Non-immersible equipment only)
 - 2) If the appliance shows any sign of abnormal water leakage, immediately unplug it from the power source. (Immersible equipment only)
 - 3) Carefully examine the appliance after installation. It should not be plugged in if there is water on parts not intended to be wet.
 - 4) Do not operate any appliance if it has a damaged cord or plug, or if it is malfunctioning or has been dropped or damaged in any manner.
 - 5) To avoid the possibility of the appliance plug or receptacle getting wet, position aquarium stand and tank to one side of a wall-mounted receptacle to prevent water from dripping onto the receptacle or plug. A "drip loop," shown in the figure below, should be arranged by the user for each cord connecting an aquarium appliance to a receptacle. The "drip loop" is that part of the cord below the level of the receptacle, or the connector if an extension cord is used, to prevent water traveling along the cord and coming in contact with the receptacle. If the plug or receptacle does get wet, DON'T unplug the cord. Disconnect the fuse or circuit breaker that supplies power to the appliance. Then, unplug and examine for presence of water in the receptacle.
- C) Close supervision is necessary when any appliance is used by or near children.
- D) To avoid injury, do not contact moving parts or hot parts such as heaters, reflectors, lamp bulbs, and the like.
- E) Always unplug an appliance from an outlet when not in use, before putting on or taking off parts, and before cleaning. Never yank cord to pull plug from outlet. Grasp the plug and pull to disconnect.
- F) Do not use an appliance for other than intended use. The use of attachments not recommended or sold by the appliance manufacturer may cause an unsafe condition.
- G) Do not install or store the appliance where it will be exposed to the weather or to temperatures below freezing.
- H) Make sure an appliance mounted on a tank is securely installed before operating it.
- I) Read and observe all the important notices on the appliance.
- J) If an extension cord is necessary, a cord with a proper rating should be used. A cord rated for less amperes or watts than the appliance rating may overheat. Care should be taken to arrange the cord so that it will not be tripped over or pulled.
- K) For added safety, the appliance must be plugged into a receptacle controlled by a GFI (ground fault interrupter) circuit breaker. Device must be properly connected to a grounded three-prong receptacle.
- L) This appliance is intended FOR HOUSEHOLD USE ONLY.
- M) **SAVE THESE INSTRUCTIONS**





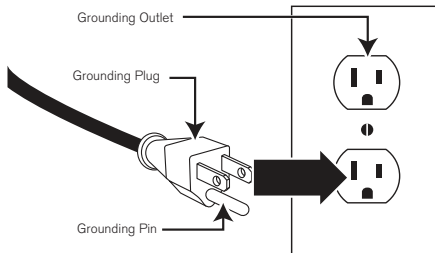
GROUNDING INSTRUCTIONS

THIS APPLIANCE SHOULD BE GROUNDED TO MINIMIZE THE POSSIBILITY OF ELECTRIC SHOCK.

GROUNDING SETUP

This appliance should be grounded to minimize the possibility of electric shock. This appliance is equipped with an electric cord having an equipment grounding conductor and a grounding type plug. The plug must be plugged into an outlet that is installed and grounded in accordance with all appropriate codes and ordinances.

This appliance is for use on a normal 120-volt circuit, and has a grounding plug that looks like the plug illustrated below.



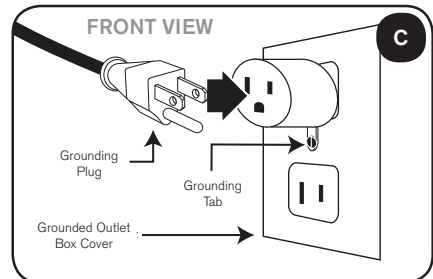
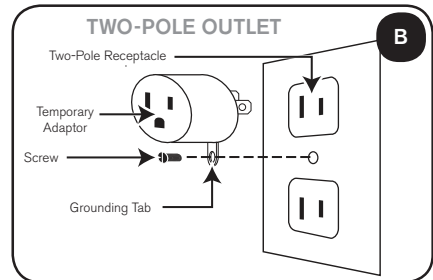
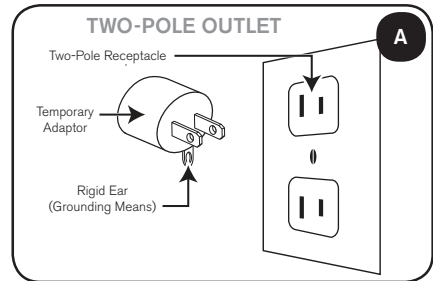
A temporary adapter which looks like the adapter illustrated in (A) may be used to connect this plug to a two-pole receptacle as shown in (A) if a grounded outlet is not available.

A temporary adapter should only be used until a grounded outlet can be installed by a qualified electrician.

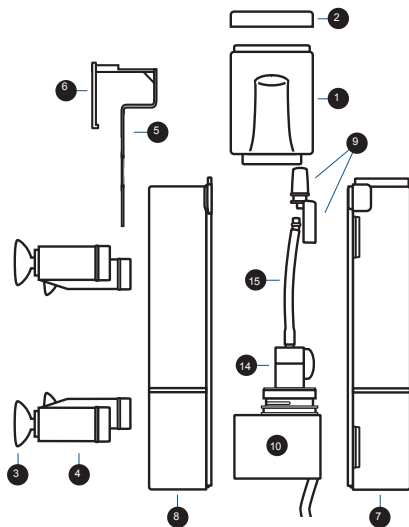
GROUNDING INSTALLATION

The green-colored rigid tab extending from the adapter must be fastened to a permanent ground such as a grounded outlet box.

1. Plug temporary adaptor into two-pole outlet. (A)
2. Insert screw through rigid tab on temporary adaptor and into grounded outlet box. (C)



PARTS DIAGRAM



Parts List

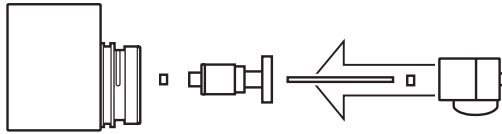
Part	Item Number	
1	Collection Cup with Cone	470115
2	Collection Cup Lid	470116
3	Suction Cup (4)	470117
4	Mounting Clip (2)	470118
5	Mounting Bracket	470119
6	Mounting Lock	470120
7	Front Housing	N/A
8	Rear Housing	N/A
9	Flow Control Knob	470121
10	Pump	N/A
11	Impeller	470122
12	Impeller Shaft Cap (2)	470123
13	Impeller Shaft	470124
14	Pump Cover	470125
15	Venturi Tube	470126

Product Specifications

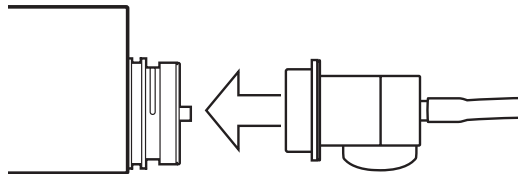
Power Cord Length	1.4 M / 4.5 ft
Pump Wattage	8 W
Dimensions	27 x 8 x 8 cm / 10.5 x 3 x 3 in
Collection Cup Volume	100 ml / 3.4 floz
Collection Cup Dimensions	5 x 5 x 8 cm / 2 x 2 x 3 in
Minimum Clearance Above Water Line	9.5 cm / 3.75 in

PUMP INSTALLATION

- 1) Slide Impeller Shaft into Impeller and place Impeller Shaft Caps over Impeller Shaft.
- 2) Place Impeller into Pump.

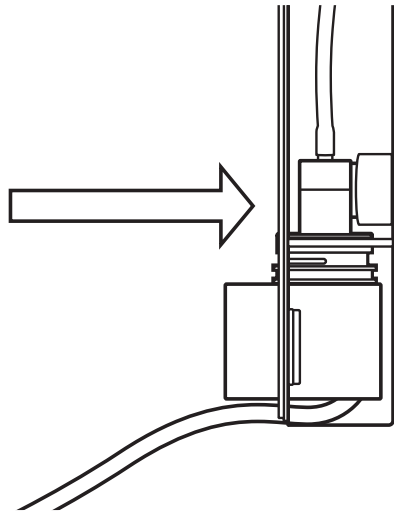
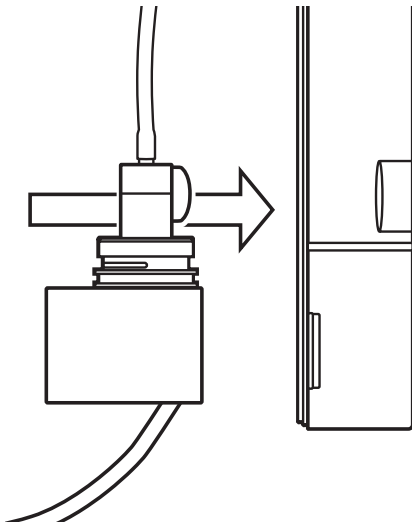


- 3) Slide Pump Cover onto Pump.



PUMP INSTALLATION (CONTINUED)

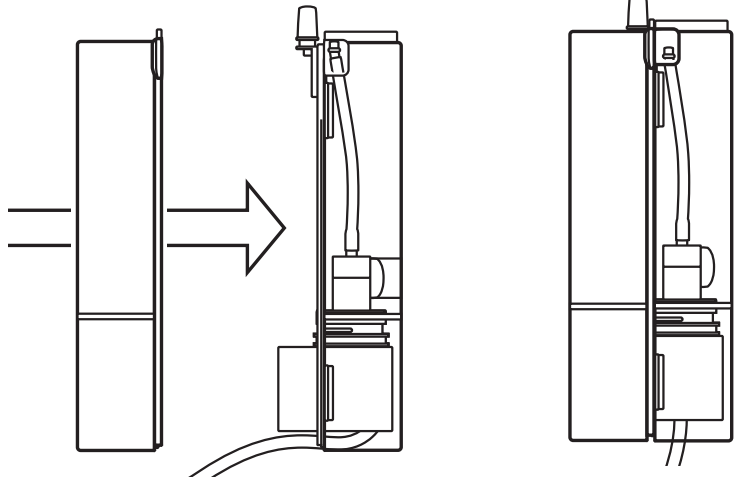
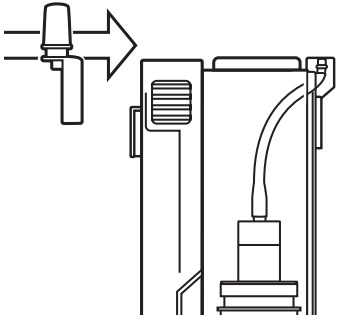
- 4) Insert Pump with Pump Cover into Front Housing.
- 5) Insert Venturi Tube into hole on top of Front Housing.



INSTALLATION

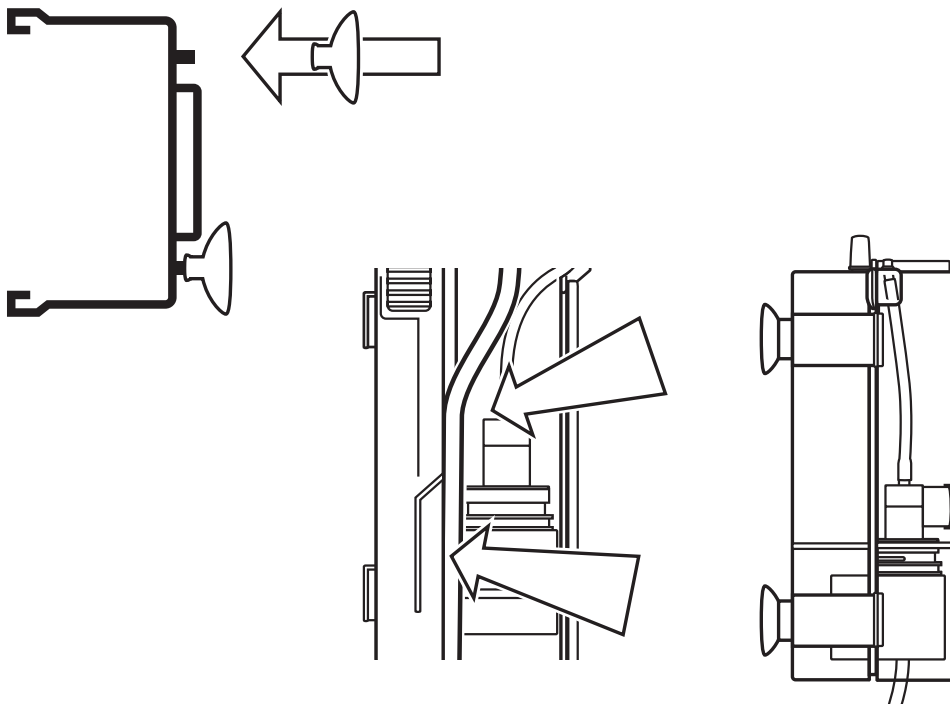
CONTROL KNOB AND HOUSING

- 1) Insert Flow Control Knob into Front Housing.
- 2) Slide together Front and Rear Housing.



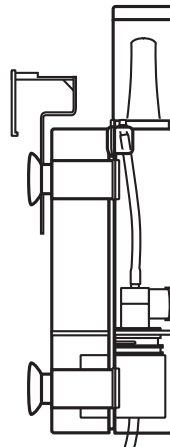
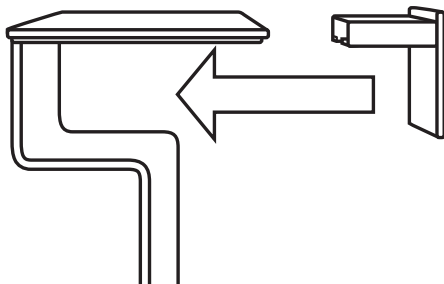
MOUNTING CLIPS AND SUCTION CUPS (OPTION #1)

- 1) Attach Suction Cups to Mounting Clips.
- 2) Route Power Cord through built in channel in Rear Housing.
- 3) Slide Mounting Clips over Rear Housing and lock into clips on Front Housing.



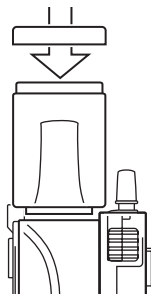
MOUNTING BRACKET AND LOCK (OPTION #2)

- 1) Slide Mounting Lock onto Mounting Bracket.
- 2) Slide Mounting Bracket with Mounting Lock through Mounting Clip.
- 3) Adjust Mounting Bracket for correct skimmer position in aquarium.



COLLECTION CUP

- 1) Install Collection Cup on top of Skimmer.
- 2) Cover Collection Cup with vented Lid.

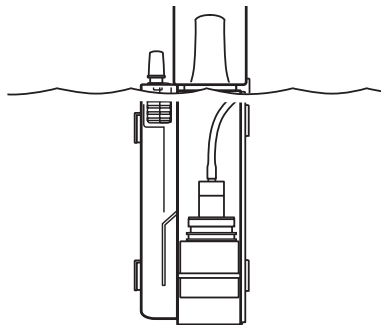


SKIMMER POSITIONING

Place Skimmer in the aquarium so that the water level is just below the top of the housing. Secure the Skimmer to the aquarium by either the mounting clips or the mounting bracket.



NOTE: The air intake must be above the water line, if below the water line, the skimmer will not draw air into the chamber and no bubbles will be produced.



POWER

Plug power cord into a ground fault interrupter power supply after placing the Skimmer in the aquarium. A drip loop in the power line is required for safe operation.

Allow the Skimmer to operate for a few minutes before any adjustments are made. The Needle-Wheel Impeller will mix the water and air to form foam (bubbles).

FLOW ADJUSTMENT



NOTE: If the collected waste is watery, reduce the height of the bubbles in the collection cone. If no waste is collected, increase the height of the bubbles. The material collected in the collection cup should have a consistency similar to milk.

After the Skimmer has operated for a few minutes, turn the Flow Control Knob to increase or decrease the bubble level in the Skimmer Collection Cup.

Monitor the height of the bubbles in the Collection Cone on a daily basis and adjust the Flow Control Knob as needed. Also inspect the intake of the Skimmer to clear any obstructions that would impede water flow. Maintenance on the Impeller is recommended every 3 months minimum. If water conditions are abnormal and there is more detritus, debris or suspended material in the water you may need to maintenance your Skimmer more often.

HOUSING

Unplug the Skimmer from electric prior to performing any maintenance on the Skimmer. Remove the Collection Cup and Mounting Clips to open Housing. Wipe the Front and Rear Housing with a clean moist/semi dry cloth to remove debris, salt and any other debris that may built-up during operations. The Housing can be soaked in 1 part vinegar to 1 part water to help remove calcium build up on the Housing.

COLLECTION CUP/LID

Remove the Collection Cup and Lid from the top of the Housing. Wipe the Collection Cup and Lid with a clean moist/semi dry cloth to remove debris, salt and any other debris that may built-up during operations. The Collection Cup and Lid can be soaked in 1 part vinegar to 1 part water to help remove calcium build up on the housing.

VENTURI TUBE AND PUMP/PUMP COVER

Remove the Collection Cup and Mounting Clips to open the Front and Rear Housings. Remove the Pump and Pump Cover with the attached Venturi Tube. Wipe the Pump and Pump Cover with a clean moist/semi dry cloth to remove debris, salt and any other debris that may built-up during operations. The Pump and Pump Cover can be soaked in 1 part vinegar to 1 part water to help remove calcium build up on the housing. Clean the Venturi Tube and review to see if any wear is visible on the tube. If wear is noticed on the Venturi Tube, replace to ensure proper water flow.

IMPELLER AND IMPELLER WELL

Remove the Collection Cup and Mounting Clips to open the Front and Rear Housings. Remove the Pump and then remove the Pump Cover securing the Impeller. Pull the Impeller to expose the Impeller and the impeller well. To remove the Impeller, pull straight out of the well to prevent damaging the Impeller Shaft. Clean the Impeller Shaft and review to see if any wear is visible on the Impeller Shaft. Also clean the Needle Wheel and Magnet of the Impeller. If wear is noticed on these parts, replace to ensure proper water flow.

GLOSSARY OF TERMS

Detritus: Non-living particulate organic material such as dead plants, organisms or fecal matter. Detritus is normally colonized by communities of microorganisms which act to decompose the matter.

Drip Loop: To arrange an electrical cord so it hangs down well below the outlet before running back up again. Any water running down the cord will drip down from the loop, rather than running uphill to enter the outlet.

Needle-wheel Impeller: Special impeller design that incorporates small rods on the blades of the impeller that protrude parallel to the impeller shaft. The placement of the rods force air between the impeller blades and increases the water-to-air contact.

Protein Skimmer: Equipment used in marine aquariums to remove organic pollutants from the water before they break down. In the skimmer, tiny air bubbles attract and hold pollutants, which are then deposited into a separate container as foam.



U.S. Mail

AquaticLife, LLC
2416 W Victory Blvd. #136
Burbank, CA 91506

Electronic Mail

customersupport@aquaticlife.com

Telephone (toll-free US only)

1-888-548-3480
1-818-768-6943

REGISTRATION & WARRANTY

REGISTERING YOUR PRODUCT(S) WITH AQUATIC LIFE

When you purchase an Aquatic Life product, you will find a Warranty Registration Card accompanying the product. Please complete this Card and mail it in within 15 days from the date of purchase or register your product online at www.aquaticlife.com/register. Some Aquatic Life products will include a Serial Number. To validate your warranty, the Serial Number must be included for pertinent products.

Product Serial Numbers

Serial Numbers DO NOT contain the letters "UL", "CUL", "CSA", "EN" or "CE". These letters refer to a US, Canadian and European Standards for that product. If you need help locating the Serial Number for your product, please visit our website at www.aquaticlife.com/register or call Aquatic Life at 1-888-548-3480.

LIMITED WARRANTY

Aquatic Life, LLC warrants that this Internal Mini Skimmer shall be free from defective electrical components and leaks or cracks due to defects in materials or workmanship for a period of twelve (12) months from the date of purchase. Aquatic Life, LLC warrants that the Impeller shall be free from defects in materials or workmanship for a period of twelve (12) months from the date of purchase. If a defect is shown, Aquatic Life, LLC will, at Aquatic Life's sole discretion, either repair or replace the product without charge. No cash refunds will be made. This warranty is provided solely to the original consumer purchaser of the product and may not be transferred or assigned.

This warranty does not apply to damage resulting from accident, misuse, abuse, lack of reasonable care, failure to follow safety and installation instructions, use of the product with non-standard electrical service, or any other defect not resulting from defects in the electrical components of the product or defects in materials or workmanship. This warranty will not be effective unless and until the Aquatic Life product is shown to have been used in accordance with the safety and installation instructions accompanying the product.

THIS CONSTITUTES AQUATIC LIFE'S ENTIRE WARRANTY AND AQUATIC LIFE MAKES NO OTHER WARRANTIES, WHETHER EXPRESS OR IMPLIED, WITH RESPECT TO THE PRODUCT. AQUATIC LIFE, LLC SPECIFICALLY DISCLAIMS ANY AND ALL IMPLIED WARRANTIES, INCLUDING, WITHOUT LIMITATION, WARRANTIES OF MERCHANTABILITY AND FITNESS FOR A PARTICULAR PURPOSE. IF AQUATIC LIFE, LLC CANNOT LAWFULLY DISCLAIM IMPLIED WARRANTIES UNDER THIS LIMITED WARRANTY, ALL SUCH WARRANTIES, INCLUDING WARRANTIES OF MERCHANTABILITY AND FITNESS FOR A PARTICULAR PURPOSE ARE LIMITED IN DURATION TO THE DURATION OF THIS WARRANTY.

AQUATIC LIFE IS NOT RESPONSIBLE FOR DIRECT, SPECIAL, INCIDENTAL OR CONSEQUENTIAL DAMAGES RESULTING FROM ANY BREACH OF WARRANTY OR CONDITION, OR UNDER ANY OTHER LEGAL THEORY. AQUATIC LIFE, LLC EXPRESSLY DISCLAIMS ALL ALLEGED DAMAGES FOR LOSS OF MARINE LIFE, PERSONAL INJURY, AND/OR PROPERTY DAMAGE.

Some states and provinces do not allow the exclusion or limitation of incidental or consequential damages or exclusions or limitations on the duration of implied warranties or conditions, so the above limitations or exclusions may not apply to you. This warranty gives you specific legal rights, and you may also have other rights that vary by state or province.

Aquatic Life, LLC shall not have any obligations under this warranty unless the owner notifies Aquatic Life, LLC in writing of any alleged defect(s) within 30 days of discovery of the defect(s). Any notice to Aquatic Life, LLC must be delivered by United States or electronic mail to the following address:

U.S. Mail
Aquatic Life, LLC
2416 W Victory Blvd. #136
Burbank, CA 91506

Electronic Mail: customerservice@aquaticlife.com

Aquatic Life, LLC shall be allowed a reasonable period of time to investigate any warranty claim and to perform any testing Aquatic Life, LLC deems necessary to determine the cause of the defect. This warranty shall be interpreted under the laws of the State of California.



Aquatic Life, Live it Today! and Life Rewards
are trademarks of
Aquatic Life LLC
Los Angeles, CA 90058
www.aquaticlife.com

© Copyright Aquatic Life LLC

P/N 9000076